

ENOONE



enomatic®
wine serving systems

TITLE: **Enoone 2/r**

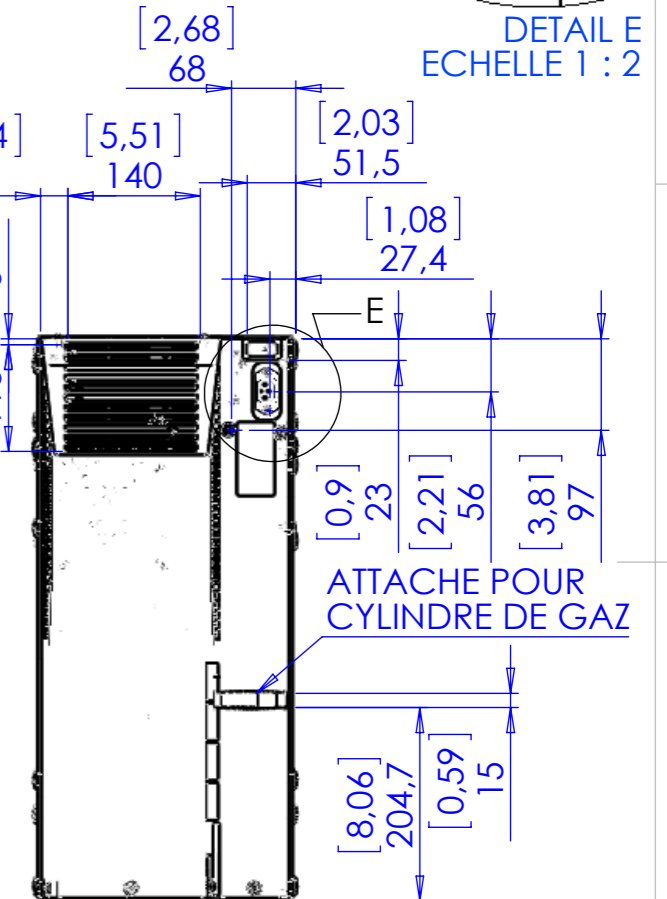
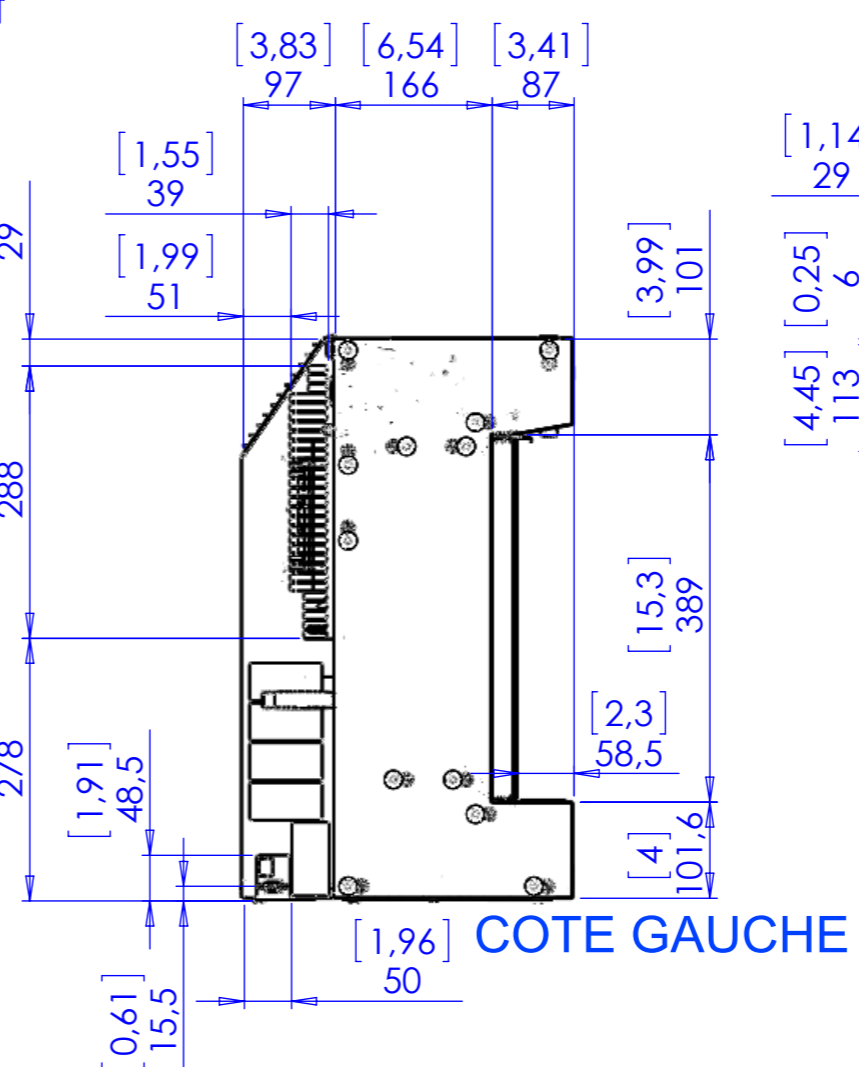
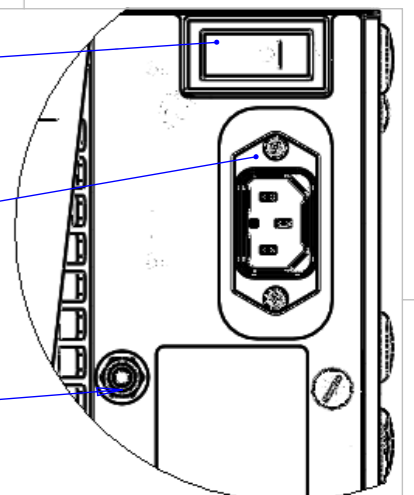
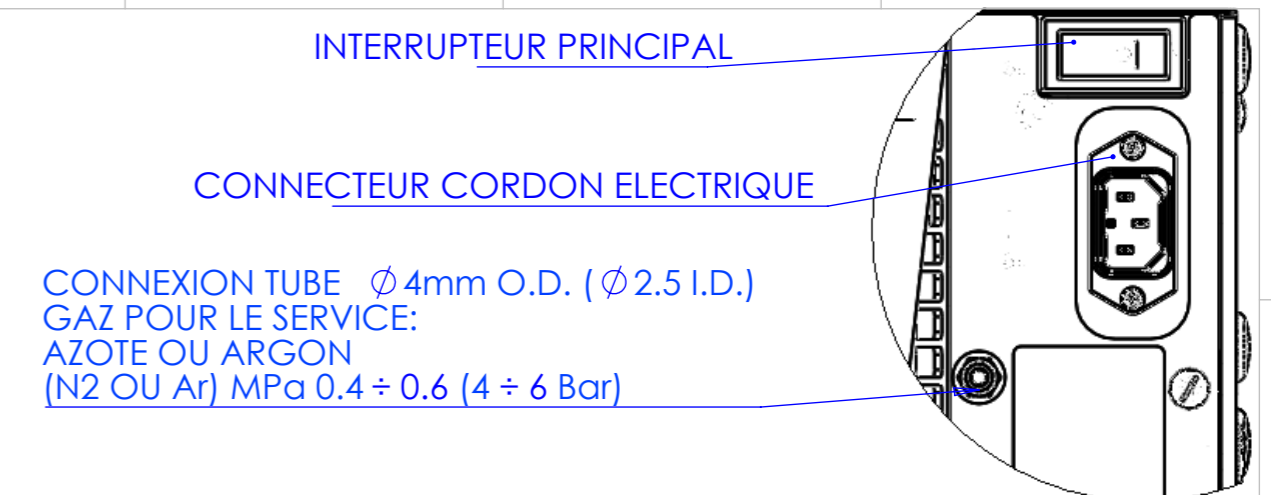
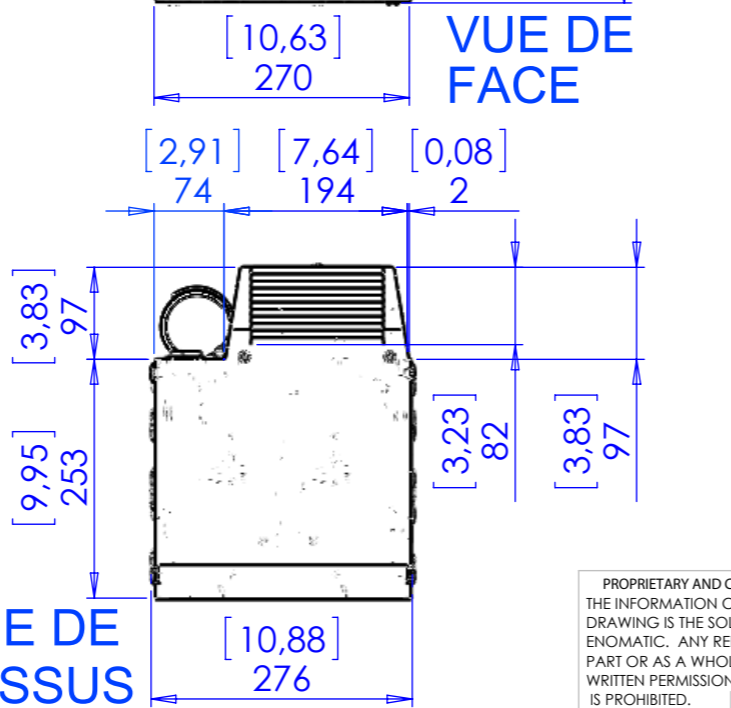
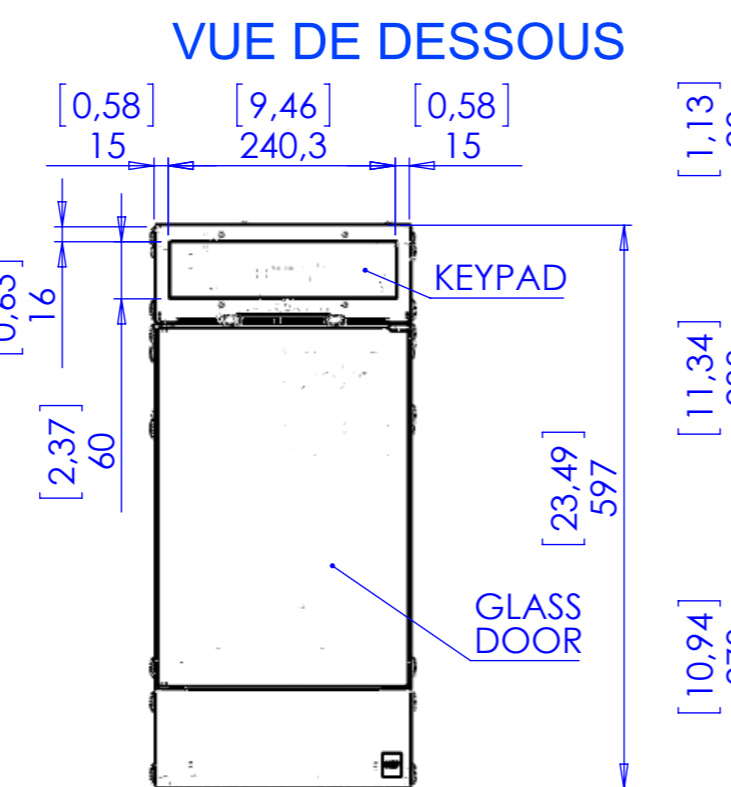
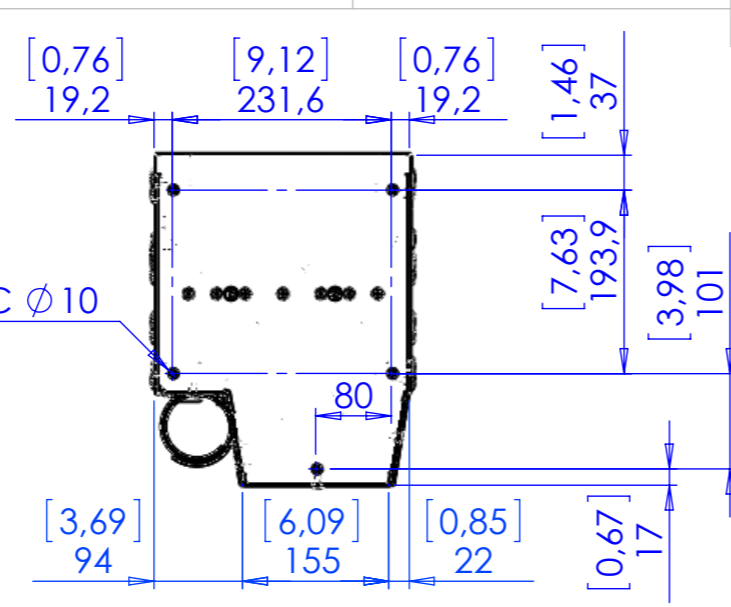
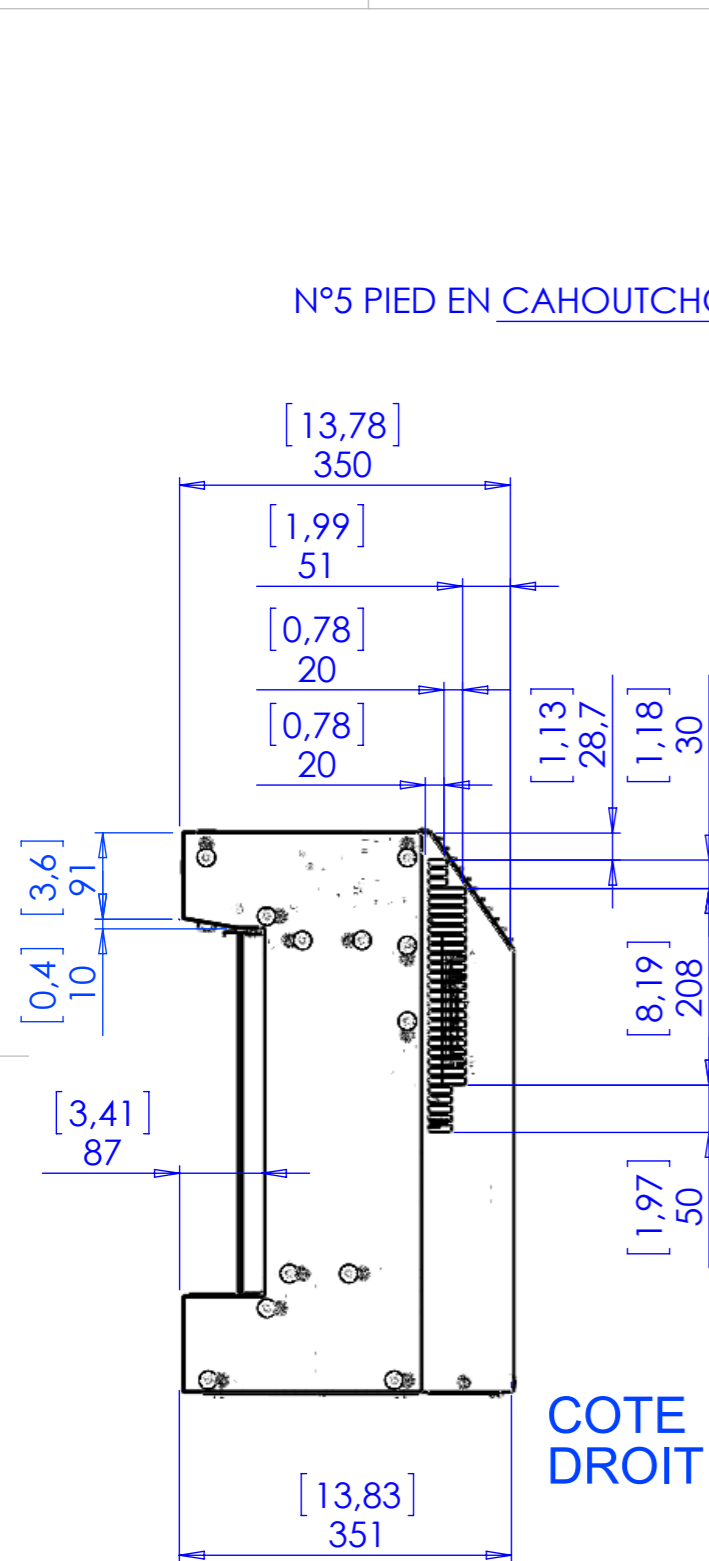
DWG NO. **ESC22-YM000** A3

QUOTE SENZA INDICAZIONI DI TOLLERANZA SECONDO UNI EN 22768 - mH
DIMENSIONS WITHOUT TOLERANCE FIGURES, ACCORDING TO UNI EN 22768 - mH. STANDARD

SCALE: 1:3 LANGUAGE: ENGLISH FINISH: THICKNESS: SHEET 1 OF 8

PROPRIETARY AND CONFIDENTIAL
THE INFORMATION CONTAINED IN THIS DRAWING IS THE SOLE PROPERTY OF ENOMATIC. ANY REPRODUCTION IN PART OR AS A WHOLE WITHOUT THE WRITTEN PERMISSION OF ENOMATIC IS PROHIBITED.

| REV. | DESCRIPTION | DATE | EXECUTOR | CHK'D | APPV'D |
|------|-------------|------------|----------|-------|------------|
| 00 | ISSUE | 22/07/2015 | PANICHI | | |
| | CODE: | MATERIAL: | | | WEIGHT Kg: |
| | F29..... | / | | | / |
| | | | | | |



NOTE
 - TOUTES les dimensions en mm [inches]

PROPRIETARY AND CONFIDENTIAL
 THE INFORMATION CONTAINED IN THIS DRAWING IS THE SOLE PROPERTY OF ENOMATIC. ANY REPRODUCTION IN PART OR AS A WHOLE WITHOUT THE WRITTEN PERMISSION OF ENOMATIC IS PROHIBITED.

| REV. | DESCRIPTION | DATE | EXECUTOR | CHK'D | APPV'D |
|----------------|-------------|------|----------|-------|--------------|
| CODE: F29..... | MATERIAL: | / | | | WEIGHT Kg: / |



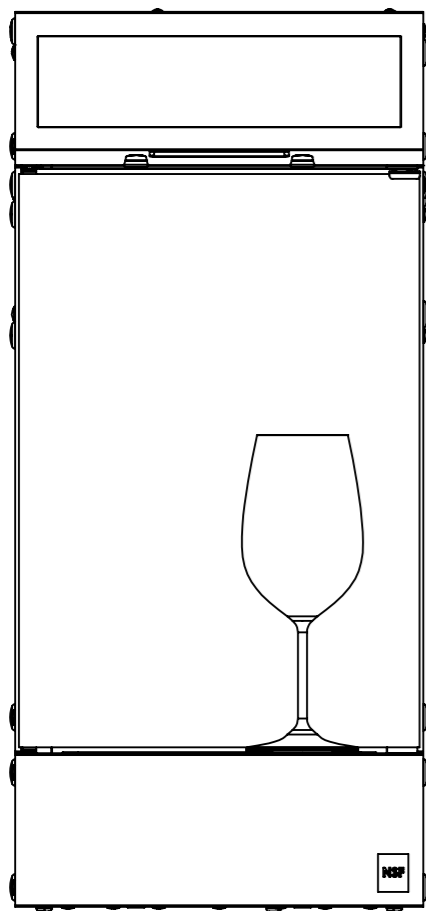
TITLE: **Enoone 2/r**

DWG NO. **ESC22-YM000**

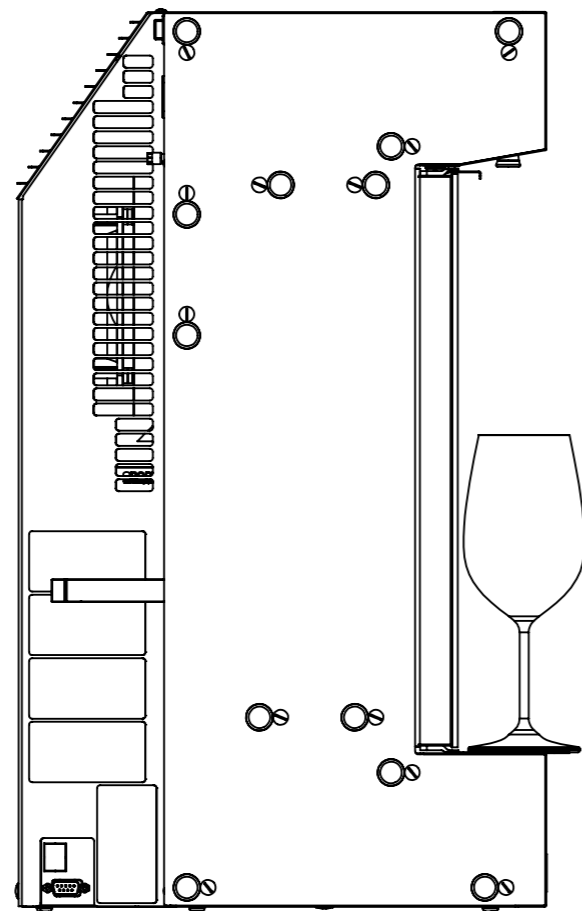
SCALE: 1:8 LANGUAGE: ENGLISH FINISH: THICKNESS: A3

QUOTE SENZA INDICAZIONI DI TOLLERANZA SECONDO UNI EN 22768 - mH
 DIMENSIONS WITHOUT TOLERANCE FIGURES, ACCORDING TO UNI EN 22768 - mH STANDARD

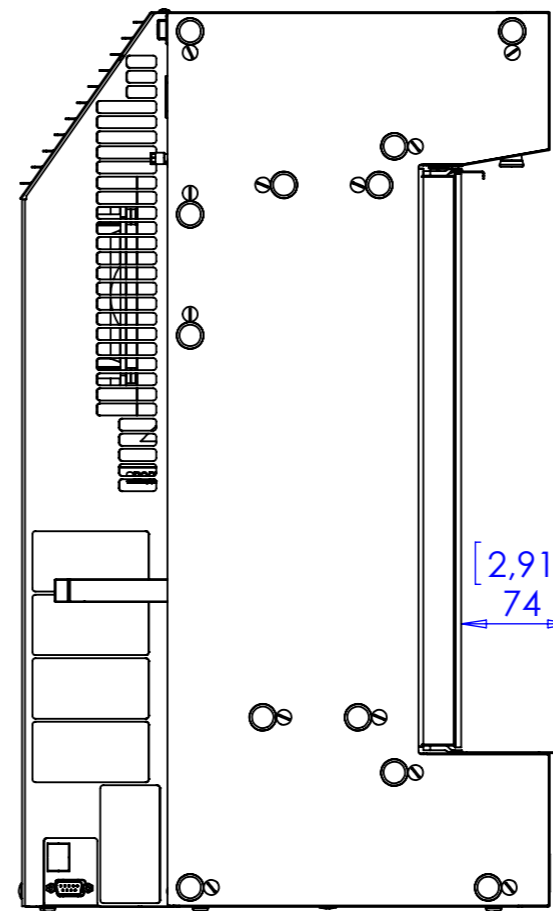
SHEET 2 OF 8



VUE DE FACE



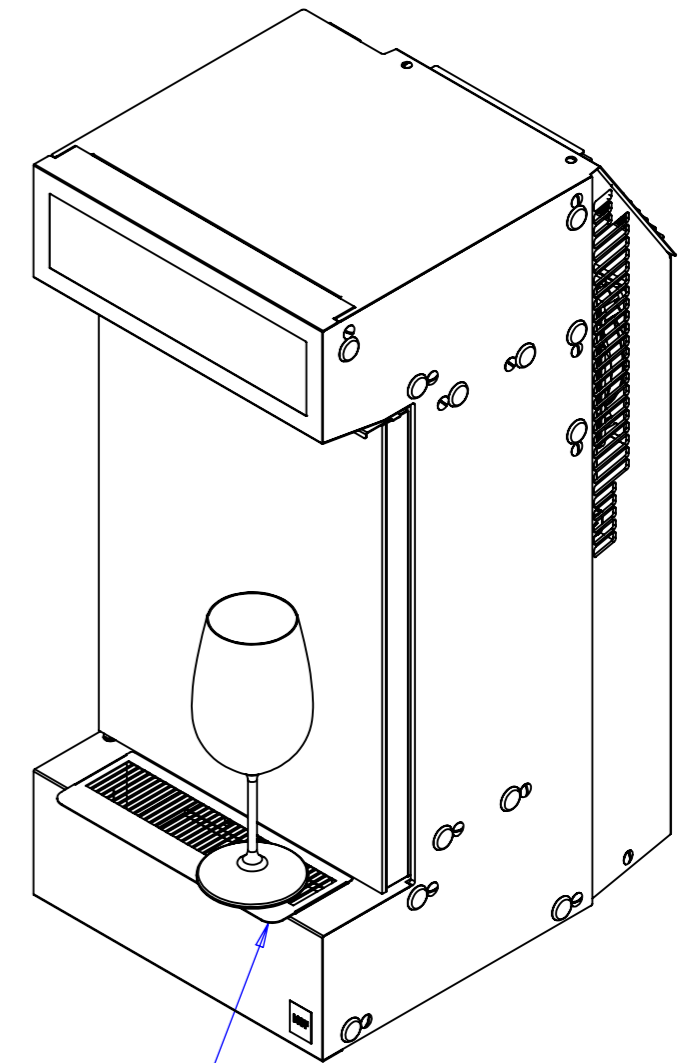
COTE GAUCHE



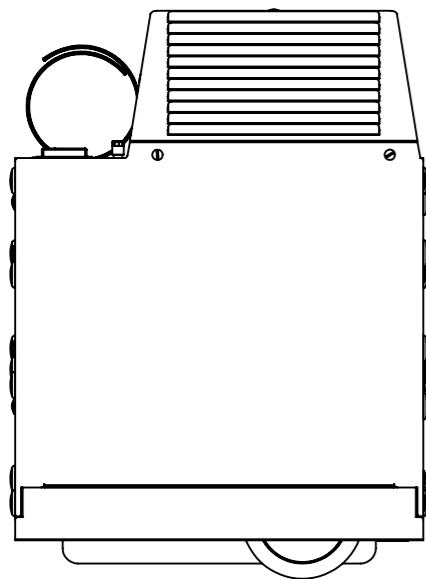
[2,91]
74

[14,34]
364

[0,6]
15



RETOURNER LA GRILLE
POUR POSER LE VERRE
(LE DESSIN MONTRE LA POSITION RETOURNEE)



VUE DE DESSUS

NOTE
- TOUTES les dimensions en mm
[inches]

PROPRIETARY AND CONFIDENTIAL
THE INFORMATION CONTAINED IN THIS
DRAWING IS THE SOLE PROPERTY OF
ENOMATIC. ANY REPRODUCTION IN
PART OR AS A WHOLE WITHOUT THE
WRITTEN PERMISSION OF ENOMATIC
IS PROHIBITED.

| REV. | DESCRIPTION | DATE | EXECUTOR | CHK'D | APPV'D |
|----------|-------------|------|----------|-------|------------|
| CODE: | MATERIAL: | | | | WEIGHT Kg: |
| F29..... | / | | | | / |



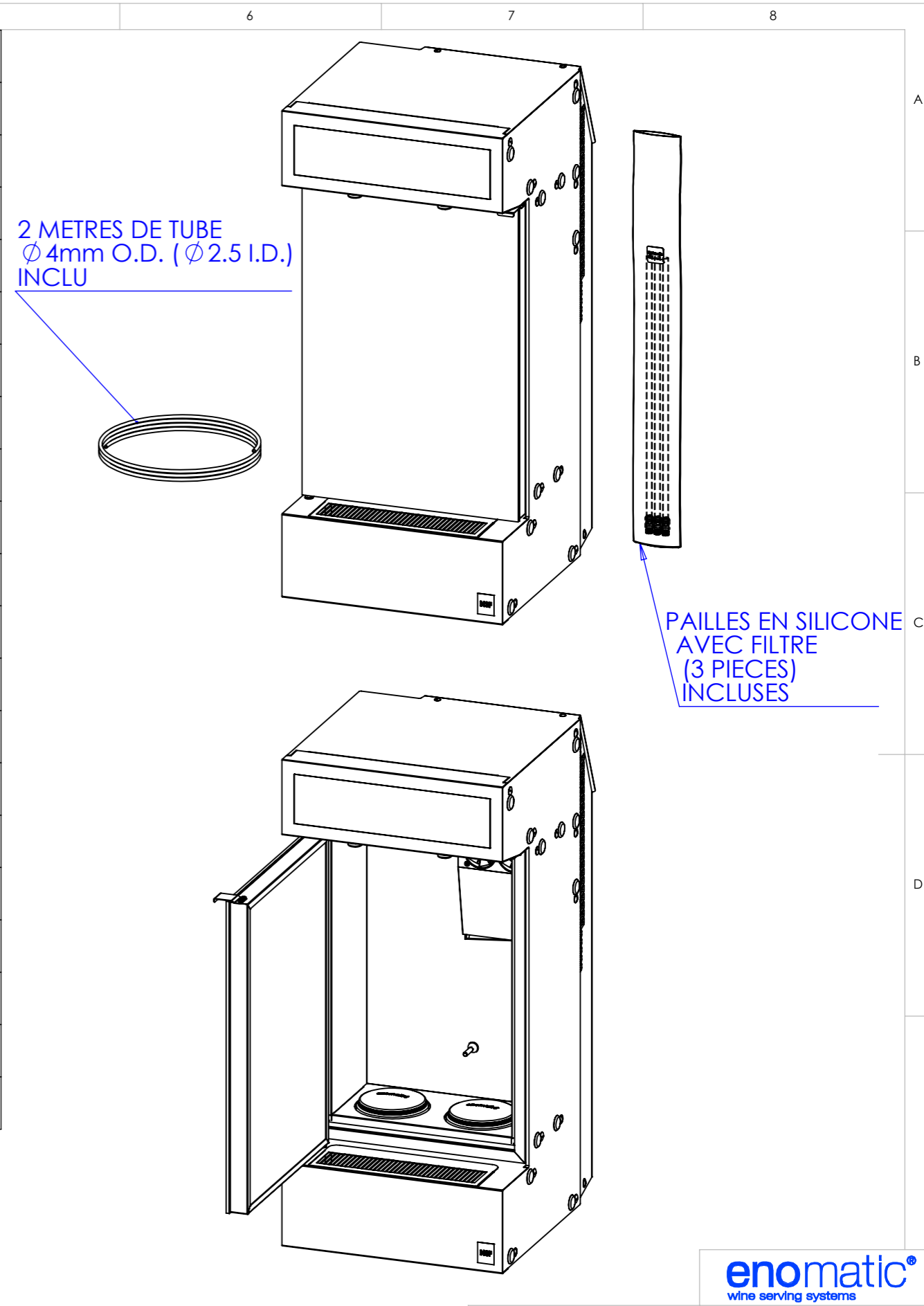
TITLE: **Enoone 2/r**

DWG NO. **ESC22-YM000**

SCALE: 1:5 LANGUAGE: ENGLISH FINISH: THICKNESS:

A3 SHEET 3 OF 8

| ENOONE | | | | | | |
|-------------------------------------------------|---------------------------------------------------|----------------------------------------------------------------------|-----|---------|---------|---------|
| DIMENSIONS | HAUTEUR (MIN -MAX) | 597 mm [23.49] | | | | |
| | PRONFONDEUR | 351 mm [13.83] | | | | |
| | LARGEUR | 276 mm [10.88] | | | | |
| POIDS (Kg) | 12 Kg | | | | | |
| MATERIAUX | ACIER INOXYDABLE 304 - VERRE - POLYCARBONATE NOIR | | | | | |
| SPECIFICATIONS ELECTRIQUES | MODELES DISPONIBLES | | | | | |
| | VOLTAGE (V) | 100 | 115 | 110-127 | 200-220 | 220-240 |
| | FREQUENCE (Hz) | 50-60 | 60 | 60 | 50-60 | 50 |
| | PUISSANCE (W) | 70 | 70 | 70 | 70 | 70 |
| MODULE THERMOELECTRIQUE | PUISSANCE FROID | 27 W | | | | |
| | PUISSANCE ELECTRIQUE | 45 W | | | | |
| | COURANT NOMINAL | 1,9 Amp | | | | |
| | COURANT INITIAL | 2,6 Amp | | | | |
| | VOLTAGE | 24 V DC | | | | |
| | CONTROLE TEMPERATURE | CONTROLEUR ELECTRONIQUE | | | | |
| | METHODE DEGIVRAGE | AUTOMATIQUE PAR CONTROLLEUR ELECTRONIQUE | | | | |
| | AFFICHAGE TEMPERATURE | DIGITALE | | | | |
| PRESSURE GAS INLET FOR TAPS (ARGON OR NITROGEN) | MPa 0.4 ÷ 0.6 (4 ÷ 6 Bar) | | | | | |
| FORMAT DES BOUTEILLES | HAUTEUR | 275÷330mm [11.024÷14.173] | | | | |
| | Ø MAX | BOUTEILLE DE GAUCHE 110 mm [4.33] BOUTEILLE DE DROITE 90mm [3.54] | | | | |



NOTE
- TOUTES LES DIMENSIONS EN mm [inches]

PROPRIETARY AND CONFIDENTIAL
THE INFORMATION CONTAINED IN THIS
DRAWING IS THE SOLE PROPERTY OF
ENOMATIC. ANY REPRODUCTION IN
PART OR AS A WHOLE WITHOUT THE
WRITTEN PERMISSION OF ENOMATIC
IS PROHIBITED.

| REV. | DESCRIPTION | DATE | EXECUTOR | CHK'D | APPV'D |
|----------|-------------|------|----------|-------|------------|
| CODE: | MATERIAL: | | | | WEIGHT Kg: |
| F29..... | / | / | | | / |

TITLE: **Enoone 2/r**

DWG NO. **ESC22-YM000**

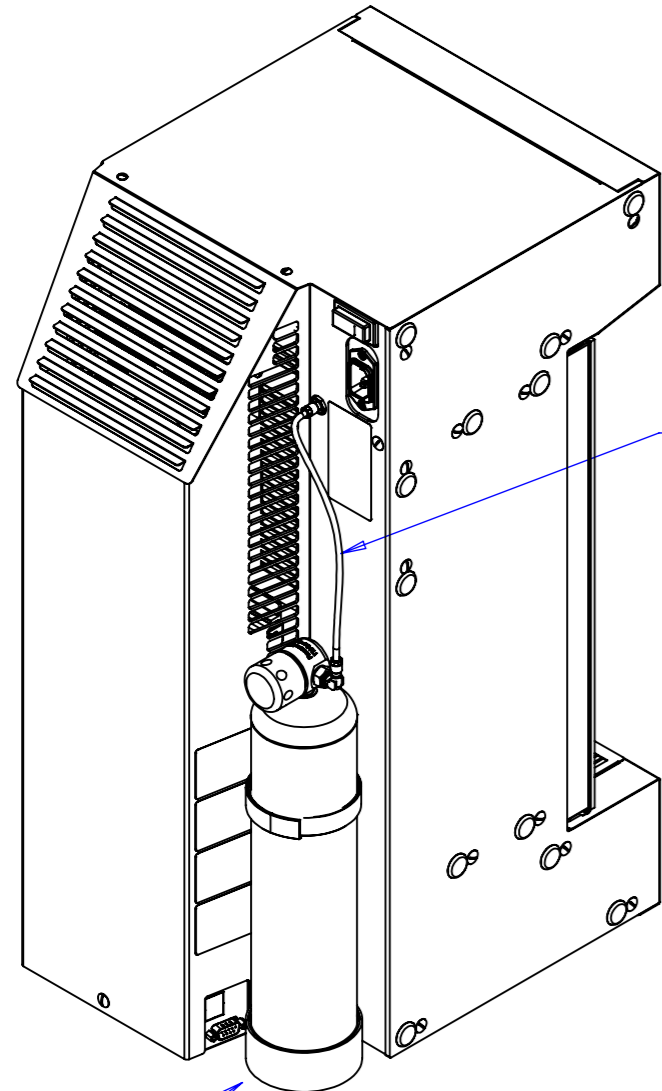
SCALE: 1:6 LANGUAGE: ENGLISH FINISH: THICKNESS:

A3

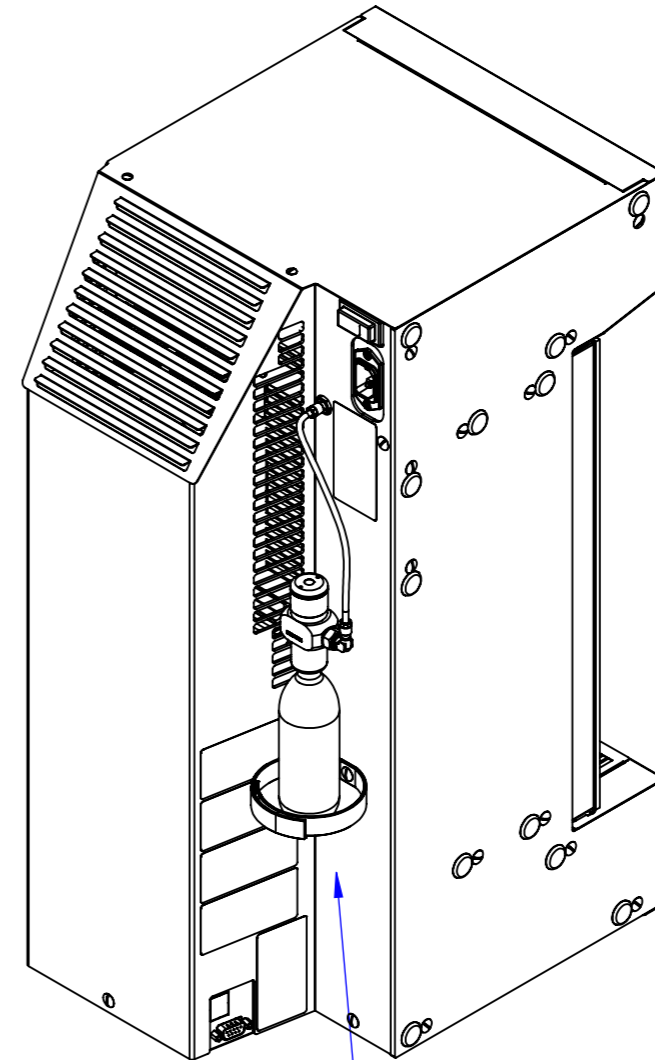
QUOTE SENZA INDICAZIONI DI TOLLERANZA SECONDO UNI EN 22768 - mH
DIMENSIONS WITHOUT TOLERANCE FIGURES, ACCORDING TO UNI EN 22768 - mH STANDARD

SHEET 4 OF 8

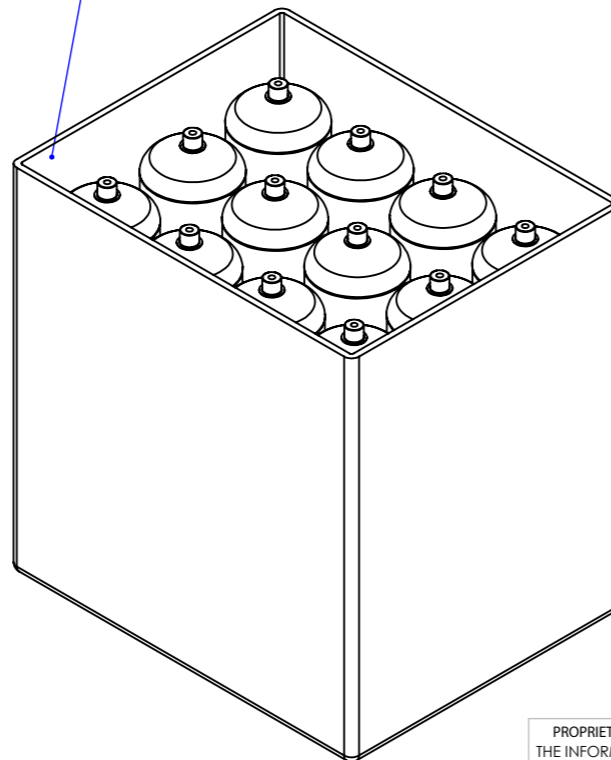
ACCESSOIRES PRINCIPAUX NON INCLUS



COUPER LE TUBE AVEC UN CUTTER



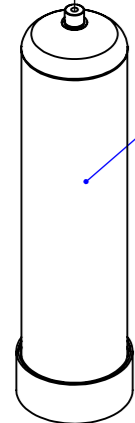
6455
CODE PRODUIT
CYLINDRE DE GAZ JETABLE
ARGON M11x1 0,95Lt
UN 1006 , 2.2 (E) NR.12 CYLINDRES



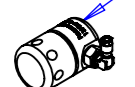
6458
CODE PRODUIT
REGULATEUR DE
PRESSION M1 1x1
pour cylindre jetable
avec valve



6448
CODE PRODUIT
CYLINDRE DE GAZ JETABLE
ARGON M11x1 0,95Lt
UN 1006 , 2.2 (E) NR. 1 CYLINDRE



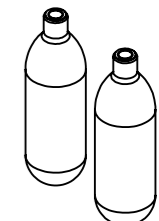
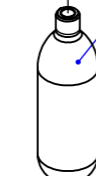
6457
CODE PRODUIT
REGULATEUR DE
PRESSION M10X1
pour cylindre jetable
avec valve



6459
CODE PRODUIT
REGULATEUR DE PRESSION 5/8" - 18UNF
pour cylindre jetable percutable



6449
CODE PRODUIT
BOITE CARTOUCHES D'ARGON JETABLES 5/8-18UNF
Argon E938 : 26 grammes (1 Boite de 2)



PROPRIETARY AND CONFIDENTIAL
THE INFORMATION CONTAINED IN THIS
DRAWING IS THE SOLE PROPERTY OF
ENOMATIC. ANY REPRODUCTION IN
PART OR AS A WHOLE WITHOUT THE
WRITTEN PERMISSION OF ENOMATIC
IS PROHIBITED.

| REV. | DESCRIPTION | DATE | EXECUTOR | CHK'D | APPV'D |
|----------|-------------|------|----------|-------|------------|
| CODE: | MATERIAL: | | | | WEIGHT Kg: |
| F29..... | / | / | | | / |

TITLE: **Enoone 2/r**

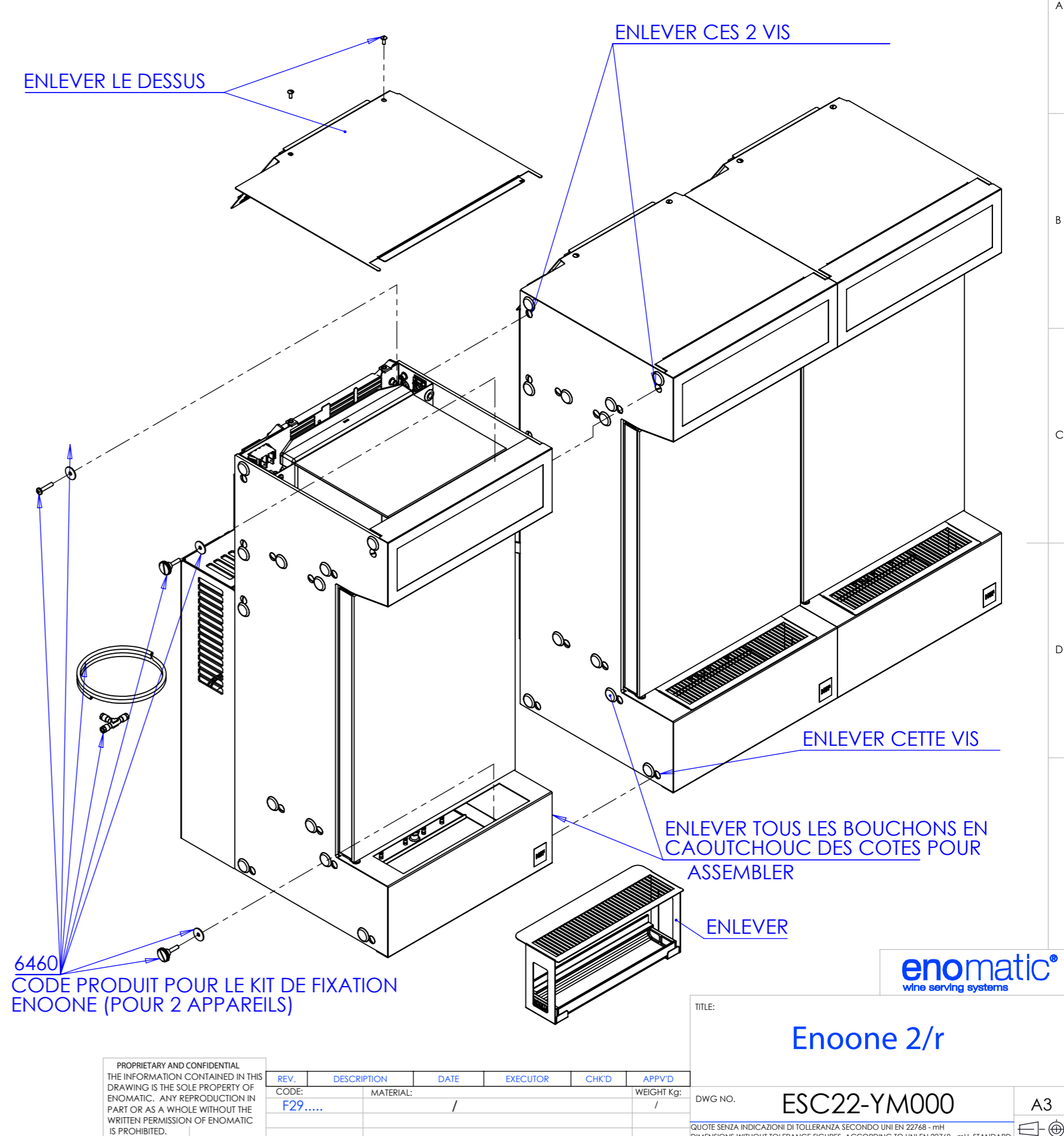
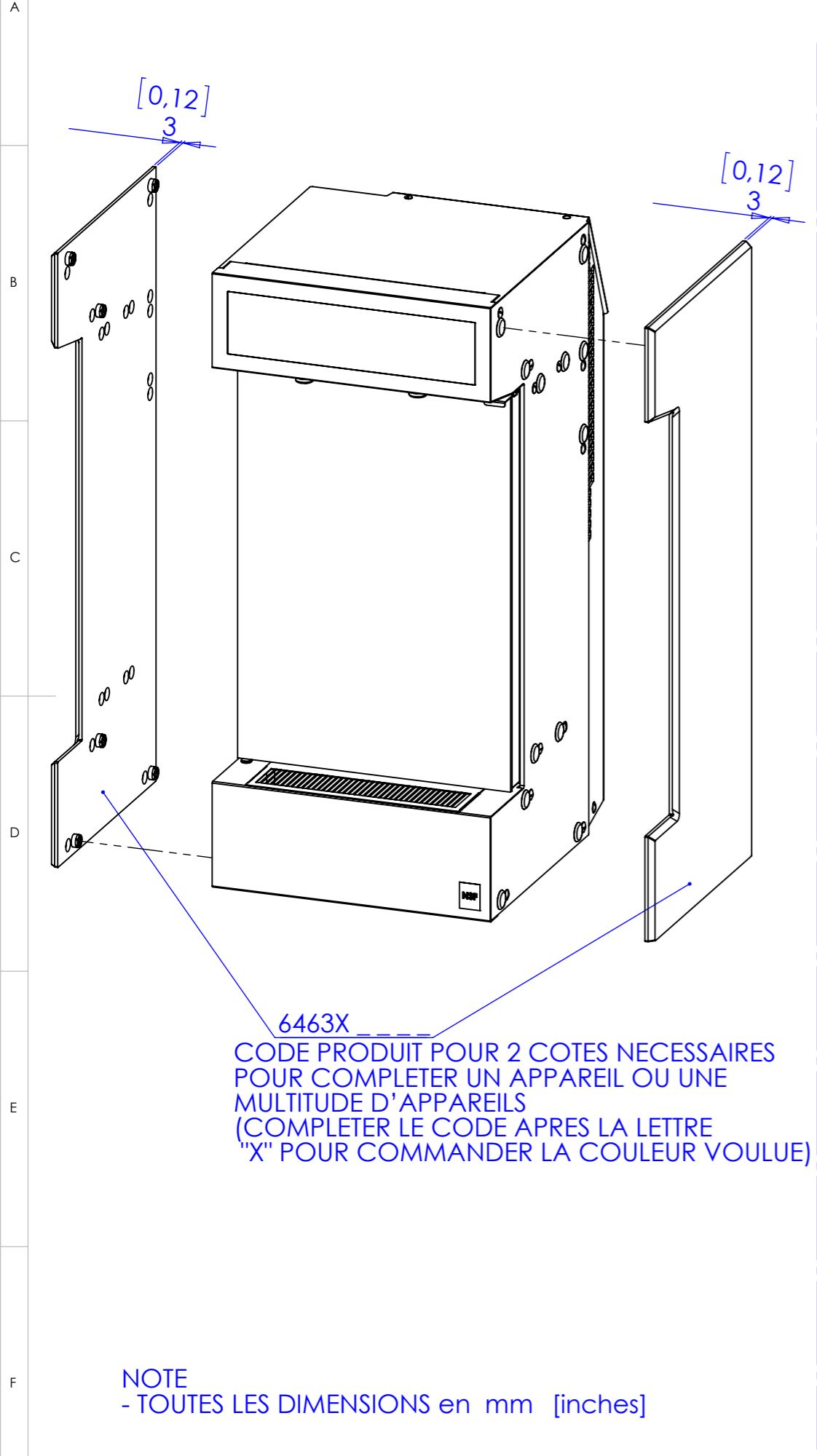
DWG NO. **ESC22-YM000**

SCALE: 1:5 LANGUAGE: ENGLISH FINISH: THICKNESS: SHEET 5 OF 8

A3

QUOTE SENZA INDICAZIONI DI TOLLERANZA SECONDO UNI EN 22768 - mH
DIMENSIONS WITHOUT TOLERANCE FIGURES, ACCORDING TO UNI EN 22768 - mH STANDARD

ACCESSOIRES OPTIONNELS NON INCLUS



NOTE
- TOUTES LES DIMENSIONS en mm [inches]

PROPRIETARY AND CONFIDENTIAL
THE INFORMATION CONTAINED IN THIS
DRAWING IS THE SOLE PROPERTY OF
ENOMATIC. ANY REPRODUCTION IN
PART OR AS A WHOLE WITHOUT THE
WRITTEN PERMISSION OF ENOMATIC
IS PROHIBITED.

| REV. | DESCRIPTION | DATE | EXECUTOR | CHK'D | APPV'D |
|----------|-------------|------|----------|-------|------------|
| CODE: | MATERIAL: | | | | WEIGHT Kg: |
| F29..... | / | / | | | / |



TITLE: **Enoone 2/r**

DWG NO. **ESC22-YM000**

SCALE: 1:5 LANGUAGE: ENGLISH FINISH: THICKNESS:

A3 SHEET 6 OF 8

FLUX D'AIR CHAUD

FLUX D'AIR AMBIANT

[39,37]
1000
SUGESTION
POUR SORTIR
L'APPAREIL

IMPORTANT
NE PAS
OBSTRUER LES
ESPACES

SORTIE
D'AIR

[9,85]
250
POUR PASSAGE DE
L'AIR ET RETIRER LE
CAPOT DU DESSUS

PRISE
ELECTRICQUE
NECESSAIRE

ATTENTION
ENTREE D'AIR
PAR LA GRILLE
NE PAS OBSTRUER

[39,37] - [35,43]
1000-900
DISTANCE
AU SOL SUGEREE

PREVOIR UN TROU
POUR PASSAGE TUBE 4mm
POUR CYLINDRE GAZ DEPORTE

[7,7]
196
ENCOMBREMENT
OUVERTURE PORTE

[2,46]
63

[10,2]
R259
ENCOMBREMENT
OUVERTURE PORTE

1 - EXEMPLE D'INSTALLATION -
DANS UNE NICHE
(DIMENSION EN mm (inches)
REQUIS POUR DES PERFORMANCES
OPTIMALES)

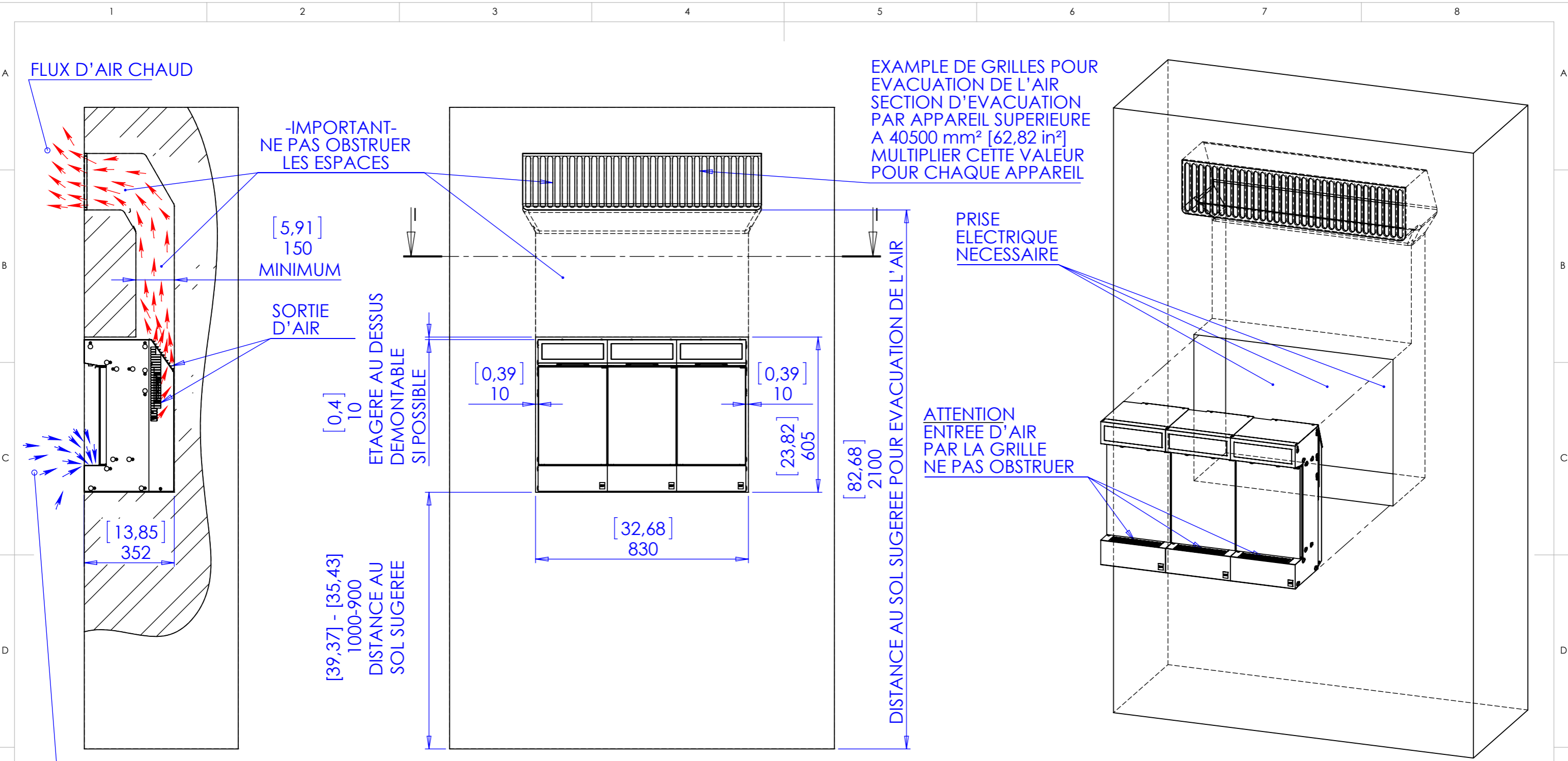
NOTE
- TOUTES LES DIMENSIONS EN mm [inches]

PROPRIETARY AND CONFIDENTIAL
THE INFORMATION CONTAINED IN THIS
DRAWING IS THE SOLE PROPERTY OF
ENOMATIC. ANY REPRODUCTION IN
PART OR AS A WHOLE WITHOUT THE
WRITTEN PERMISSION OF ENOMATIC
IS PROHIBITED.

| REV. | DESCRIPTION | DATE | EXECUTOR | CHK'D | APPV'D |
|----------|-------------|------|----------|-------|------------|
| CODE: | MATERIAL: | | | | WEIGHT Kg: |
| F29..... | / | / | | | / |



| | | | |
|------------|--------------------|---------|--------------|
| TITLE: | Enoone 2/r | | |
| DWG NO. | ESC22-YM000 | | |
| SCALE:1:15 | LANGUAGE: ENGLISH | FINISH: | THICKNESS: |
| A3 | | | SHEET 7 OF 8 |



EXEMPLE DE GRILLES POUR EVACUATION DE L'AIR
SECTION D'EVACUATION PAR APPAREIL SUPERIEURE
A 40500 mm² [62,82 in²]
MULTIPLIER CETTE VALEUR
POUR CHAQUE APPAREIL

PRISE
ELECTRIQUE
NECESSAIRE

ATTENTION
ENTREE D'AIR
PAR LA GRILLE
NE PAS OBSTRUER

-IMPORTANT-
NE PAS OBSTRUER
LES ESPACES

[5,91]
150
MINIMUM

SORTIE
D'AIR

ETAGERE AU DESSUS
DEMONTABLE
SI POSSIBLE

[0,4]
10

[39,37] - [35,43]
1000-900
DISTANCE AU
SOL SUGEREE

[0,39]
10

[0,39]
10

[23,82]
605

[82,68]
2100
DISTANCE AU SOL SUGEREE POUR EVACUATION DE L'AIR

[32,68]
830

[13,85]
352

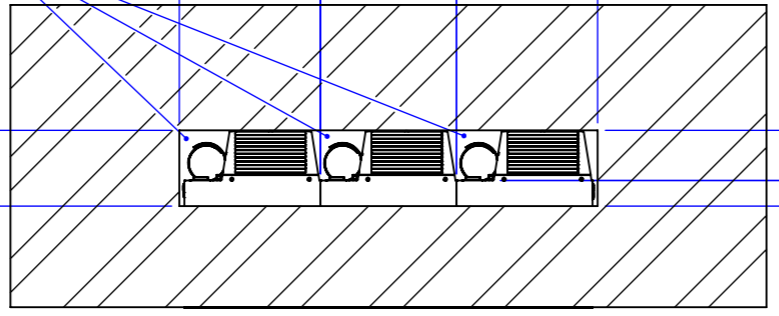
PREVOIR UN TROU
POUR PASSAGE TUBE 4mm
POUR CYLINDRE GAZ
DEPORTE

[11,02] [10,63] [11,02]
280 270 280

[3,91]
99

[2]
51

[5,91] X [10,63]
150 X 270
[62,82 in²]
40500 mm²
MINIMUM SECTION
OF AIR PASSAGE
FOR EACH DISPENSER



SECTION I-I

2 - EXEMPLE D'INSTALLATION - ENCASTRE (DIMENSIONS EN mm (inches) REQUIS POUR DES PERFORMANCES OPTIMALES)



NOTE
- TOUTES LES DIMENSIONS EN mm [inches]

PROPRIETARY AND CONFIDENTIAL
THE INFORMATION CONTAINED IN THIS
DRAWING IS THE SOLE PROPERTY OF
ENOMATIC. ANY REPRODUCTION IN
PART OR AS A WHOLE WITHOUT THE
WRITTEN PERMISSION OF ENOMATIC
IS PROHIBITED.

| REV. | DESCRIPTION | DATE | EXECUTOR | CHK'D | APP'V'D |
|----------|-------------|------|----------|-------|------------|
| CODE: | MATERIAL: | | | | WEIGHT Kg: |
| F29..... | / | / | | | / |

TITLE:

Enoone 2/r

DWG NO. **ESC22-YM000**

SCALE: 1:15 LANGUAGE: ENGLISH FINISH: THICKNESS:

A3

QUOTE SENZA INDICAZIONI DI TOLLERANZA SECONDO UNI EN 22768 - mH
DIMENSIONS WITHOUT TOLERANCE FIGURES, ACCORDING TO UNI EN 22768 - mH STANDARD

SHEET 8 OF 8